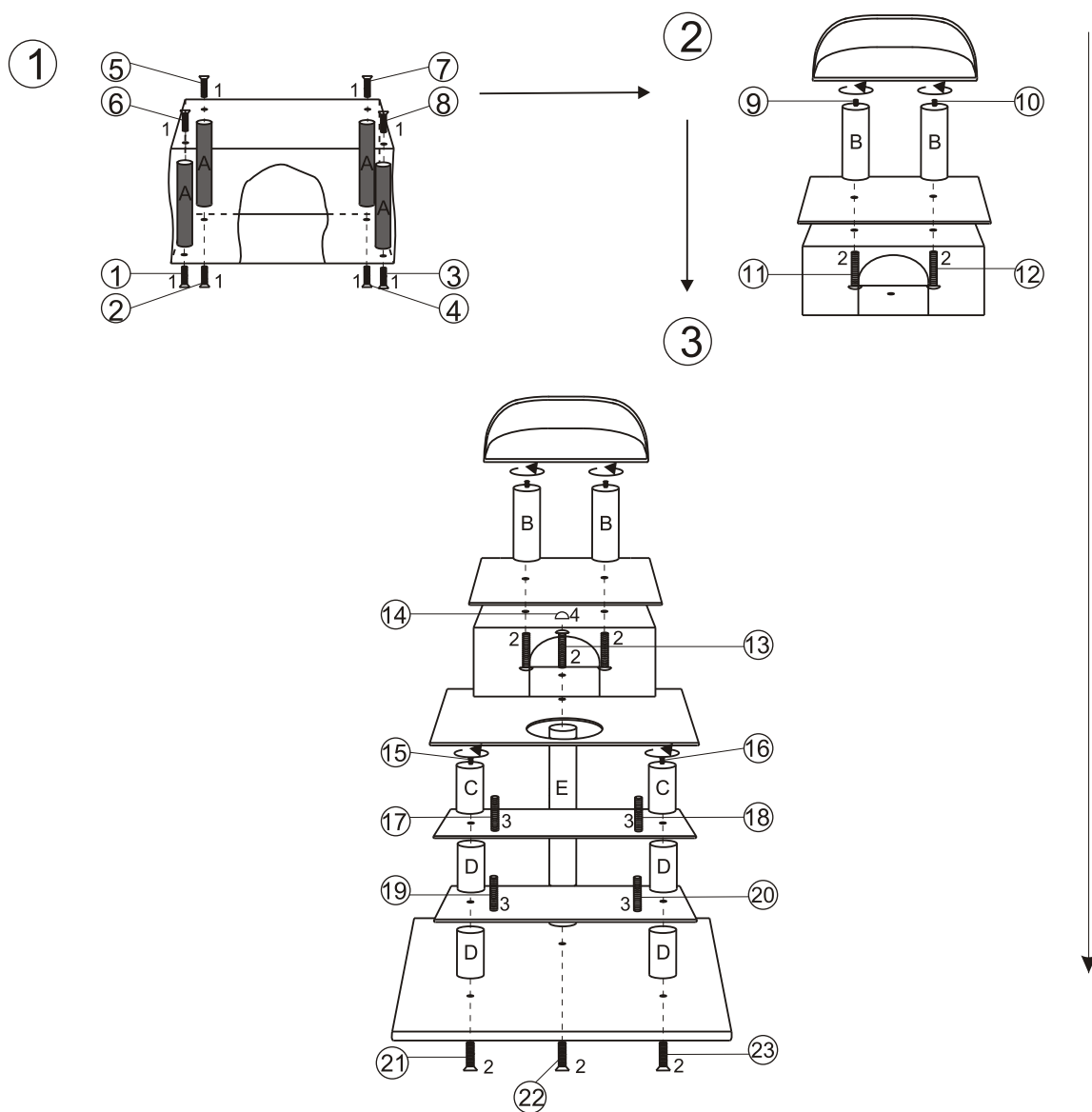


Teile / Parts List

| | | | | | | | | | |
|------------------------------|------------------------------|------------------------------|------------------|------------------|------------------------------|------------------------------|------------------------------|------------------------------|-----------------------------|
| 1 M8*50mm 8 PCS | 2 M8*60mm 6 PCS | 3 M8*80mm 4 PCS | 4 1 PC | 5 1 PC | A D6*26CM 4 PCS | B D9*28CM 2 PCS | C D9*18CM 2 PCS | D D9*18CM 4 PCS | E D9*58CM 1 PC |
|------------------------------|------------------------------|------------------------------|------------------|------------------|------------------------------|------------------------------|------------------------------|------------------------------|-----------------------------|



Bitte halten Sie die Reihenfolge der Arbeitsschritte 1, 2, 3, ... von der Skizze ein.

Pls follow the sequence of the workflow 1, 2, 3, ... as you can see on the draft.